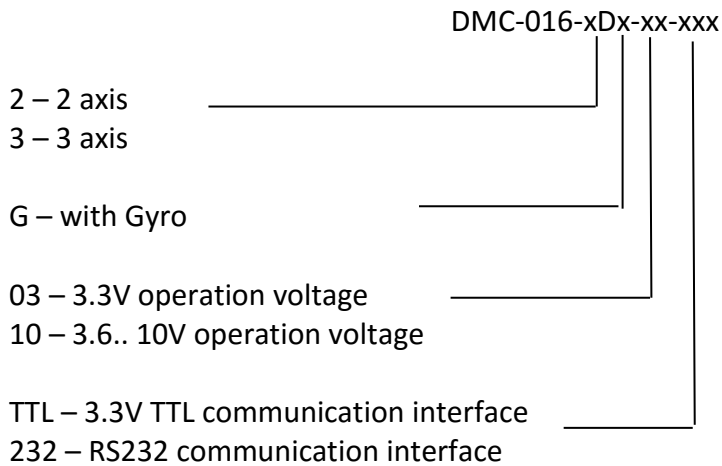


DMC-016-3D/2D-xx-xxx
Digital Magnetic Compass Datasheet

- 2 or 3 axis MEMS flux gate DMC
- Small size
- Low consumption power
- High accuracy
- Field calibration
- Serial communication interface
- SW update via communication interface



Part number:



Performance data applies at 25 ° C, 0g acceleration, stand-alone operation

Parameter	Value	Note
Static Heading Accuracy	±0.35°	Peak to Peak
Heading Repeatability	±0.1°	
Static Pitch/Roll Accuracy	±0.2°	up to ±45°
Pitch/Roll Repeatability	±0.1°	
Magnetic Range	±1.5Gauss	
Magnetic Inclinations	±80°	
Update Rate	up to 10 Hz	
Communication Interface	RS232 or UART 3.3V	
Baud Rate	9.6, 19.2, 57.6, 115.2 baud	Other on request
Operation voltage	3.3V or 3.6..10V	
Consumption Current, Active	20mA	
Consumption Current, Sleep	0.5mA	
2D and 3D Field Calibration		
True North Heading	Support	Position required
MEMS Gyro	Optional	For detection distortions of the magnetic field
Dimensions	40x30x8mm	
Encapsulation	Class 3 Conformal Coating	
Operational Temperature	-40 .. +85 deg.C	

